

MAKE: SUZUKI

TYPE: Grand Vitara XL7

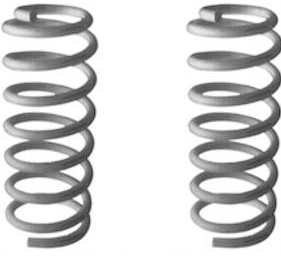

MODEL: JA627

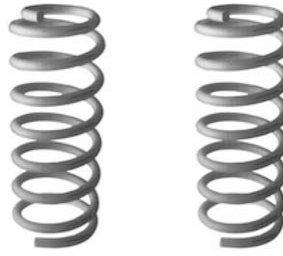

YEAR: 10/01 on

DETAIL: 7 Seater 2.7L V6 H27A
2.0L Turbo Diesel

SUZ-56



FRONT		TYPE	QTY	PART NUMBER
COIL SPRING Type 'C'  V6 2.7L & 2.0L Turbo Diesel				
	Linear Rate Standard Height	1		C57-034 (Pair)
	Linear Rate Raised Height (45mm Lift) Up to 50Kg Accessories	1		C57-036 (Pair)
SHOCK ABSORBER  Type 'A' 'B' 'F' Heavy Duty Gas Strut		F	2	GS57-620
Wheel Alignment Products Camber Adjustment Kit Kit Contains: 2 x Cam Bolts ±1.2° for Lower Control Arm Camber Adjustment Raising vehicle will affect wheel Alignment. It is recommended that this Camber Correction kit be fitted and a wheel alignment carried out.		-	1	WA57-505K

REAR		TYPE	QTY	PART NUMBER
COIL SPRING Type 'C' 				
	Linear Rate Standard Height	1		C57-033 (Pair)
	Linear Rate Raised Height (40mm Lift) Light Load to GVM	1		C57-039 (Pair)
SHOCK ABSORBER  Type 'A' 'B' 'C' Heavy Duty Gas		B	2	GS57-621