



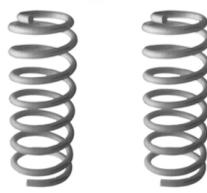

**MAKE:** SSANGYONG **TYPE:** Actyon



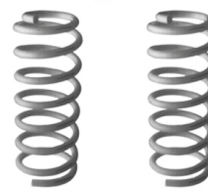

**MODEL:** **YEAR:** 2007 on

**DETAIL:** Sports Utility  
4 Door 2.0L

SSAN-55



 <b>FRONT</b> 		<b>TYPE</b>	<b>QTY</b>	<b>PART NUMBER</b>
<p><b>COIL SPRING</b> Type 'C'</p> 				
<p>Linear Rate Raised Height (25mm Lift)</p>			1	<b>C53-016</b> (pair)
<p>Linear Rate Raised Height (40mm Lift)</p>			1	<b>C53-008</b> (pair)
<hr/>				
<p><b>SHOCK ABSORBER</b></p>  <p>Type 'A' 'B' 'C'</p>				
<p>Heavy Duty Gas</p>			2	<b>GS53-200</b>

 <b>REAR</b> 		<b>TYPE</b>	<b>QTY</b>	<b>PART NUMBER</b>
<p><b>COIL SPRING</b> Type 'C'</p> 				
<p>Linear Rate Raised Height (40mm Lift)</p>			1	<b>C53-003</b> (pair)
<p>Linear Rate Raised Height (50mm Lift) 200 Kg to GVM</p>			1	<b>C53-005</b> (pair)
<hr/>				
<p><b>SHOCK ABSORBER</b></p>  <p>Type 'A' 'B' 'C'</p>				
<p>Heavy Duty Gas</p>			2	<b>GS57-639S</b>