

MAKE: SsangYong

TYPE: KYRON



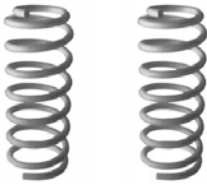

MODEL: M200 XVT



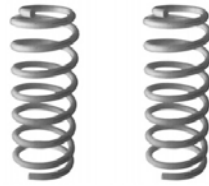

YEAR: 2006 on

DETAIL: D100 Series



SSAN-54

 FRONT 		TYPE	QTY	PART NUMBER
<p>COIL SPRING Type 'C'</p>  <p>Linear Rate Raised Height</p>			1	C53-016 (Pair)
<p>SHOCK ABSORBER</p>  <p>Type 'A' 'B' 'C'</p> <p>Heavy Duty Complete with Fittings</p>			2	GS53-200S

 REAR 		TYPE	QTY	PART NUMBER
<p>COIL SPRING Type 'C'</p>  <p>SUITS: Rigid Axle Models Only</p> <p>Linear Rate Raised Height</p>			1	C53-011 (Pair)
<p>SHOCK ABSORBER</p>  <p>Type 'A' 'B' 'C'</p> <p>Heavy Duty Gas</p>			2	GS57-621