

MAKE: LANDROVER

TYPE: Discovery II



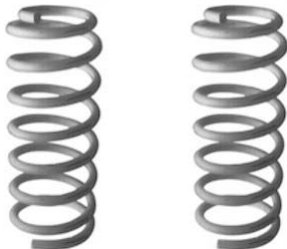


MODEL: Series II



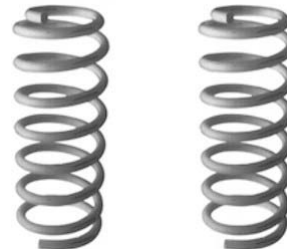

YEAR: 03/1999 – 2004

DETAIL: TD5



LAND-58

 FRONT 		TYPE	QTY	PART NUMBER
<p>COIL SPRING Type 'C'</p>  <p>Linear Rate Standard Height (20mm Lift)</p> <p>Linear Rate Raised Height (45mm Lift) Up to 40Kg Accessories Recommended</p> <p>Linear Rate Extra Heavy Duty Raised Height (45mm Lift) 40-100Kg Accessories</p>			1	C51-032 (Pair)
			1	C51-042 (Pair)
			1	C51-052 (Pair)
<p>SHOCK ABSORBER</p>  <p>Type 'A' 'B' 'C'</p> <p>Heavy Duty Gas</p>		A	2	GS51-118
<p>STEERING DAMPER</p>  <p>Type 'A'</p> <p>Heavy Duty (Big Bore) Complete with Fittings</p>		A	1	SD51-802

 REAR 		TYPE	QTY	PART NUMBER
<p>COIL SPRING Type 'C'</p>  <p>Variable Rate Standard Height (20mm Lift)</p> <p>Linear Rate Raised Height (45mm Lift)</p> <p>Linear Rate Raised Height (50mm Lift)</p> <p>Variable Rate Raised Height (50mm Lift) 200Kg to GVM</p>			1	C51-023V (Pair)
			1	C51-015 (Pair)
			1	C51-022 (Pair)
			1	C51-027V (Pair)
<p>SHOCK ABSORBER</p>  <p>Type 'A' 'B' 'C'</p> <p>Heavy Duty Gas</p>		A	2	GS51-119