

**MAKE:** ISUZU-HOLDEN **TYPE:** Frontera



**MODEL:** UES25

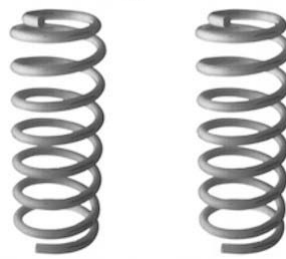

**YEAR:** 02/1999 – 2002

**DETAIL:** SWB & LWB  
3.2L V6, 2.2L TDi



HOLD-57

	FRONT		TYPE	QTY	PART NUMBER
<p><b>TORSION BAR</b></p>  <p>Type 'D'</p> <p>Heavy Duty Rate Increased Check Length Before Ordering Length 1145mm</p>			D	1	TB21-1550 (Pair)
<p><b>SHOCK ABSORBER</b></p>  <p>Type 'A' 'B' 'C'</p> <p>Heavy Duty Gas</p>			B	2	GS21-463

	REAR		TYPE	QTY	PART NUMBER
<p><b>COIL SPRING</b></p> <p>Type 'C'</p>  <p>Linear Rate Raised Height (35mm Lift) Medium Load to GVM</p>				1	C45-009 (Pair)
<p><b>SHOCK ABSORBER</b></p>  <p>Type 'A' 'B' 'C'</p> <p>Heavy Duty Gas</p>			B	2	GS43-781